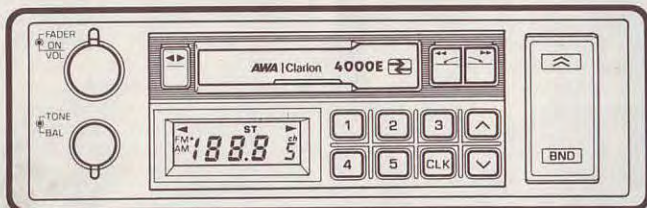




4000E AM/FM STEREO CASSETTE RECEIVER

Owner's guide



■ Electronic Quartz-Locked PLL Tuning ■ 5 FM/5 AM Touchbutton Memory ■ LCD "Full Information" Display □ Auto DX/LO (Keyed AGC) □ Dual Gate FET/Balanced Mixer FM Front End □ SASC (Signal Actuated Stereo Control) □ Clean Z₁ (FM Noise Canceller) □ Optimum IF Filter □ Soft Muting ■ Auto Reverse ■ Locking FF/REW ■ Illuminated Tape Door ■ 4-Way Balance Controls ■ Din-E Chassis ■ Night Illumination ■ Digital Quarts Clock ■ SEEK and SCAN Tuning ■ Auto Base Boost.

Your AWA Clarion stereo tape radio is a new design using modern solid state technology for excellent sound reproduction and dependable performance. It requires an automotive type 12 volt negative ground power source. For proper installation and full performance capability, this owner's guide should be read carefully before work is started.

SPECIFICATION

RADIO SECTION

Receiving Frequency AM 531 to 1,602 kHz
 FM 87.9 to 107.9 MHz

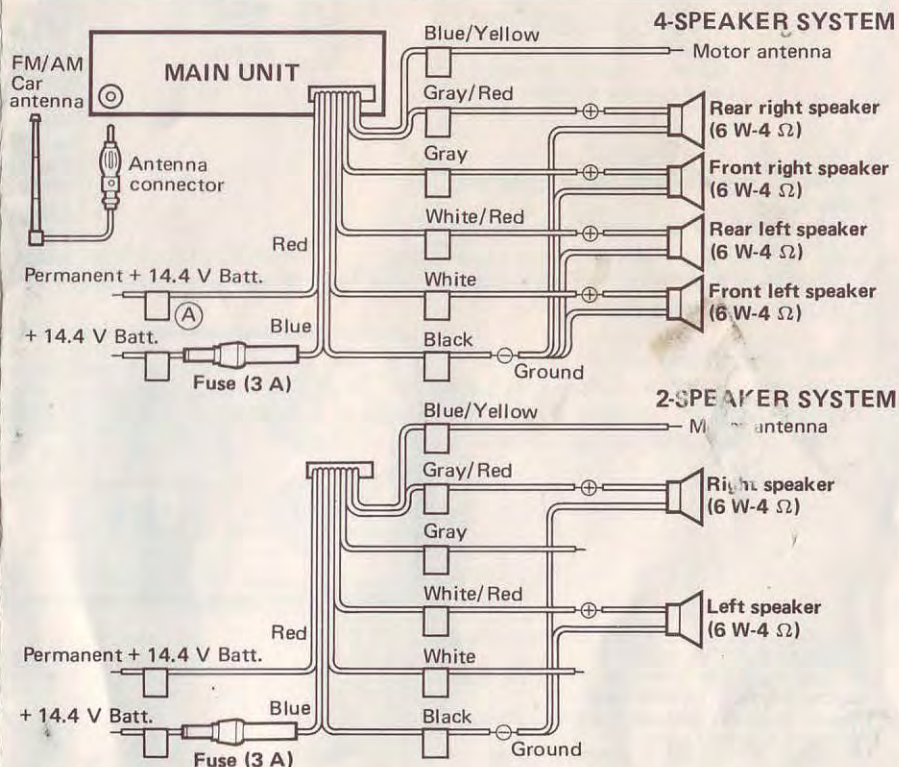
TAPE SECTION

Playback System Auto reversing 4-track, 2-channel, 2-program stereo cassette tape playback (monaural also capable)

COMPOSITE

Power Supply Voltage DC 14.4 V (10.8 V to 15.6 V allowable)
 Negative ground
 Power Consumption Less than 3 A
 (at max. output)
 Less than 3 A
 (during program switching)

WIRE CONNECTION



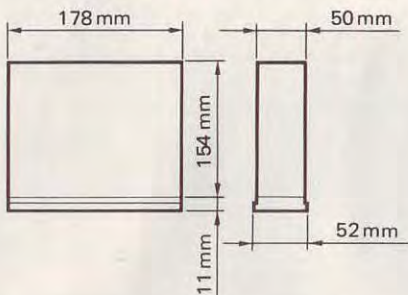
Note:

1. Connect the ground (black) wire with vehicle chassis after joining the ground lead and speaker negative leads.
2. Red lead (A) is for the preset memory backup power supply. Connect it where there is always live voltage. The backup power supply is slight and so under normal conditions of use, there should be no serious problems.
3. Be sure to insulate any exposed wires with tape.

CASSETTE PRECAUTION AND CARE

Speaker Impedance 4 Ω x 2, 4 Ω x 4

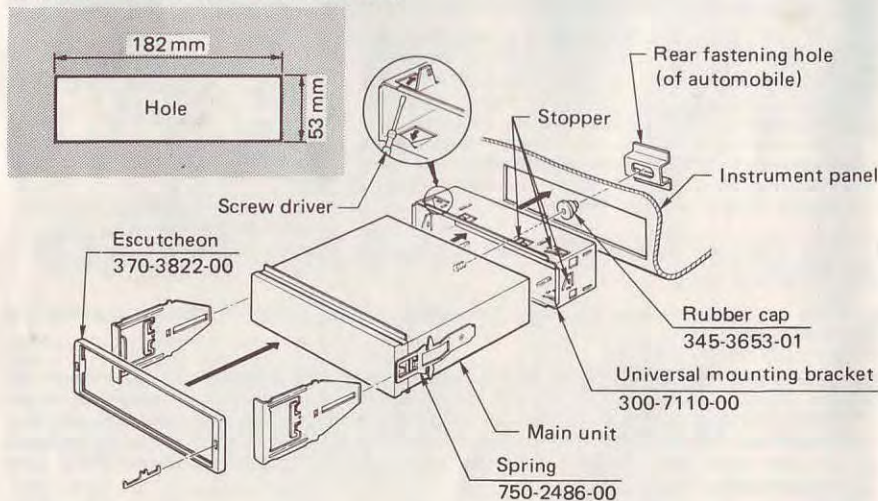
DIMENSIONS



* Specifications and design are subject to changes without notice for further improvement.

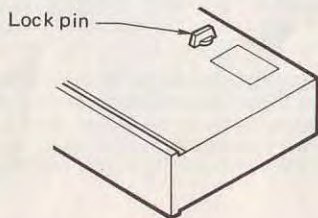
INSTALLATION

CONSOLE OPENING DIMENSIONS

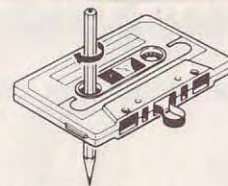


NOTE:

1. Mount securely; loose mounting may cause objectionable Wow & Flutter when driving.
2. Remove cassette mechanism lock pin on top before installation.



1. Slack tape can cause operating difficulties. Remove tape slack before inserting cassette, particularly when using C-90 or pre-recorded cassettes.
2. Use C-30 to C-90 cassettes. Avoid use of C-120 or longer cassettes. (The very thin tape may stretch or break)
3. Clean head periodically with good commercial head cleaner. Avoid touching head with magnetic or hard objects.
4. Don't oil the cassette mechanism.
5. Always remove cassette from mechanism when not in use. Exposure to direct sunlight, extreme temperatures or high humidity may damage cassettes.



TROUBLE SHOOTING GUIDE

Good ground connections eliminate most electrical noise problems and require tight contact with the metal vehicle chassis. Remove plastic, paint or rust for good electrical contact.

Symptom	Possible cause	Solution
No power	Blown fuse	Replace if blown with same rating (3 amps).
	Bad power connection	Securely connect leads.
No sound one channel	Misadjusted balance	Check balance control.
	Damaged lead or speaker	Interchange left and right channel speaker leads. If no sound from other side, check or replace speaker wire. If no sound from same side, replace speaker.
Noise, Alternator whine (Radio and Tape)	Weak battery or low fluid	Replace battery if weak or add fluid.
	Corroded battery posts	Clean posts for good contact.
	Poor filtering	Add filter in power lead to unit.
Noise, Pulse (Radio only)	Antenna location wrong	Move antenna away from noise source.
	No factory noise suppression	See car dealer or note below.
Poor reception	Insensitive windshield ant.	Replace with good sensitivity whip antenna.
No memory or wrong time	Memory back up lead (white wire) not energized.	Connect to battery or continuous power source.

All AWA Clarion units are tested for electrical noise rejection during manufacture. Electrical noise can be a vehicle systems problem. See a professional installer or your AWA Clarion dealer for assistance in noise suppression techniques and filter accessories.